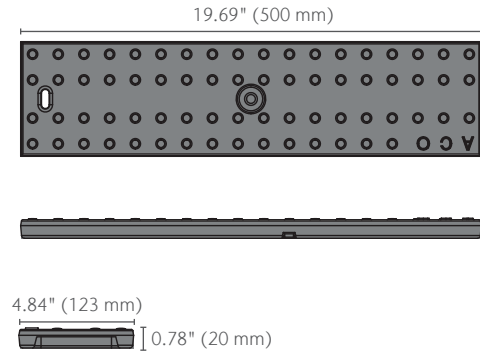


# ACO UtilityDuct

## Type 456Q Solid Ductile Iron Grate



### Type 456Q Solid Ductile Iron Grate part no. 06573

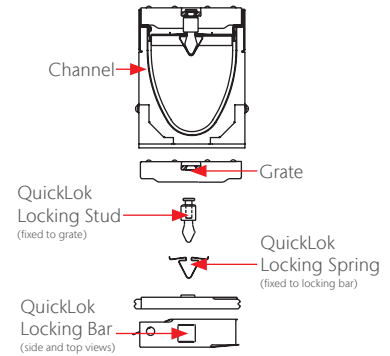


### QuickLok® Locking Mechanism

ACO QuickLok is a patented boltless locking system. Grates are removed and replaced with the minimum time and effort for ease of maintenance.

The unique design of ACO QuickLok includes a locking stud fixed into the grate which clips into a locking bar.

The QuickLok locking stud is made from stainless steel and high-density nylon. The locking bar and locking spring are stainless steel for use in both general purpose and corrosive environments.



Product Name	Part No.	Length in (mm)	Width in (mm)	Weight lbs
Type 456Q Solid Ductile Iron Grate	<b>06573</b>	19.69 (500)	4.84 (123)	14.2
QuickLok® Locking Bar	<b>02899</b>	-	-	0.2
QuickLok® Grate Removal Hook	<b>01318</b>	-	-	0.6

### Specification Summary

#### General

The ducting system shall be ACO UtilityDuct DK100 complete with Type 456 ductile iron solid cover with QuickLok locking as manufactured by ACO, Inc. or similar approved.

#### Installation

The ducting system and covers shall be installed in accordance with the manufacturer's installation instructions and recommendations.

#### Materials

The covers shall be manufactured from ductile iron and have minimum properties as follows:

- Ductile iron to ASTM A536-84-Grade 65-45-12

The overall width of cover shall be 4.84" (124 mm) and overall unit length of 19.69" (500 mm).



Australian Standard AS 3996 - 2006 Clause 3.3.6: max slot length dependent on slot width for grates that are deemed Bicycle Tire Penetration Resistant.



ADA-compliant per The Americans with Disabilities Act of 2010, Section 302.3

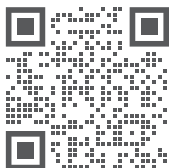


EN1433 Load Class E  
134,885 lbs – 2,785 psi

### ACO, Inc.

© January 2026 ACO, Inc.

All reasonable care has been taken in compiling the information in this document. All recommendations and suggestions on the use of ACO products are made without guarantee since the conditions of use are beyond the control of the company. It is the customer's responsibility to ensure that each product is fit for its intended purpose and that the actual conditions of use are suitable. ACO, Inc. reserves the right to change products and specifications without notice.



info@acousa.com  
www.acousa.com

